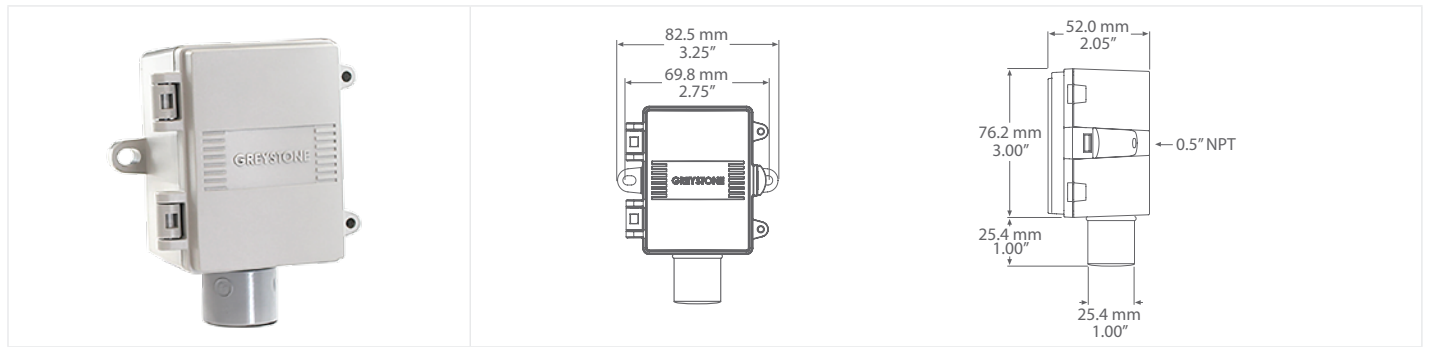




NETWORK OUTSIDE HUMIDITY/TEMPERATURE SENSOR



HNOS SERIES

PRODUCT DESCRIPTION

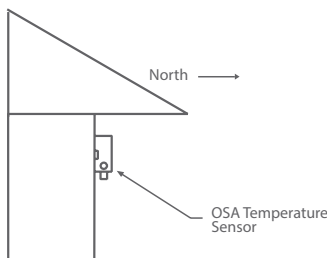
The outside air network humidity/temperature sensor uses a highly accurate and reliable Thermoset Polymer based capacitance humidity sensor and temperature sensor, that is field replaceable, to monitor humidity and temperature levels and transmit values via BACnet® or Modbus communication to a building automation system. A hinged, gasketed weatherproof Polycarbonate enclosure with sensor hub provides ease of installation and protection from the elements.

TYPICAL INSTALLATION

For complete installation and wiring details, please refer to the product installation instructions.

The outside sensor should be mounted on an outside North facing wall, under the eaves which will provide protection from direct sunlight and wind.

The outside sensor can be mounted directly to buildings wall face using the provided mounting holes. There is a 0.86" hole for conduit connection of the back of the enclosure.



SPECIFICATIONS

RELATIVE HUMIDITY	Accuracy: ±2, 3, or 5 %RH (5 to 95 %RH) Range: 0 to 100 %RH Resolution: 0.01 %RH Hysteresis: ±0.8 %RH @ 25°C (77°F) Response Time: 8 seconds typical Stability: <0.25 %RH/year
TEMPERATURE SENSOR	Sensor Accuracy: ±0.2°C (±0.4°F) @ 0 to 70°C (32 to 158°F) Probe Sensing Range: -40 to 50°C (-40 to 122°F), 5 to 95 %RH non-condensing Resolution: 0.01°C/°F Response Time: 2 seconds Stability: <0.03°C/year
NETWORK COMMUNICATION	Hardware: MS/TP, 2-wire RS-485 Software: BACnet® or Modbus Baud Rate: 9600, 19200, 38400, 57600, 76800, or 115200 Address Range: BACnet® - 0 to 127 Modbus - 1 to 255
OPTIONAL RELAY	Contacts: 0.5 A @ 125 Vac / 1 A @ 24 Vdc Setpoint: Relative Humidity - 1 to 90 %RH or Temperature - 5 to 40°C (40 to 100°F)
POWER SUPPLY	24 Vac/dc ±10% typical, 28 Vac/dc maximum
CONSUMPTION	22 mA @ 24 Vdc, 70 mA @ 24 Vac
OPERATING ENVIRONMENT	-40 to 60°C (-40 to 140°F)
PROBE MATERIAL	PVC sensor hub
WIRING CONNECTION	Screw terminal block (14 to 22 AWG)
ENCLOSURE	A: Polycarbonate, UL94-V0, IP65 (NEMA 4X) E: Same as A, with cable gland fitting
DIMENSIONS	82.5mm W x 76.2mm H x 52.0mm D (3.25" x 3.0" x 2.05")
COUNTRY OF ORIGIN	Canada

OPTIONAL ACCESSORIES - INCLUDED WITH E ENCLOSURE OPTION

